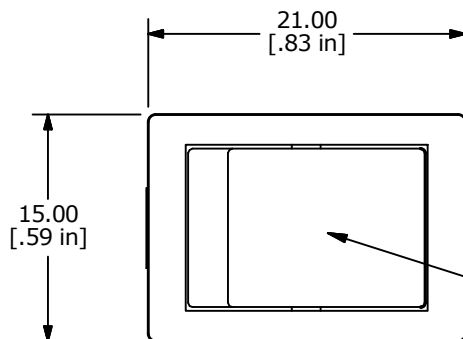


PANEL CUTOUT

PANEL THICKNESS	X
0.75 - 1.25	19.2
1.25 - 2.00	19.4
2.00 - 3.00	19.6

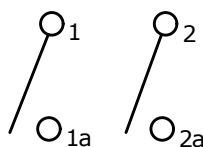


▲ BODY COLOR: WHITE

▲ ACTUATOR COLOR: BLACK



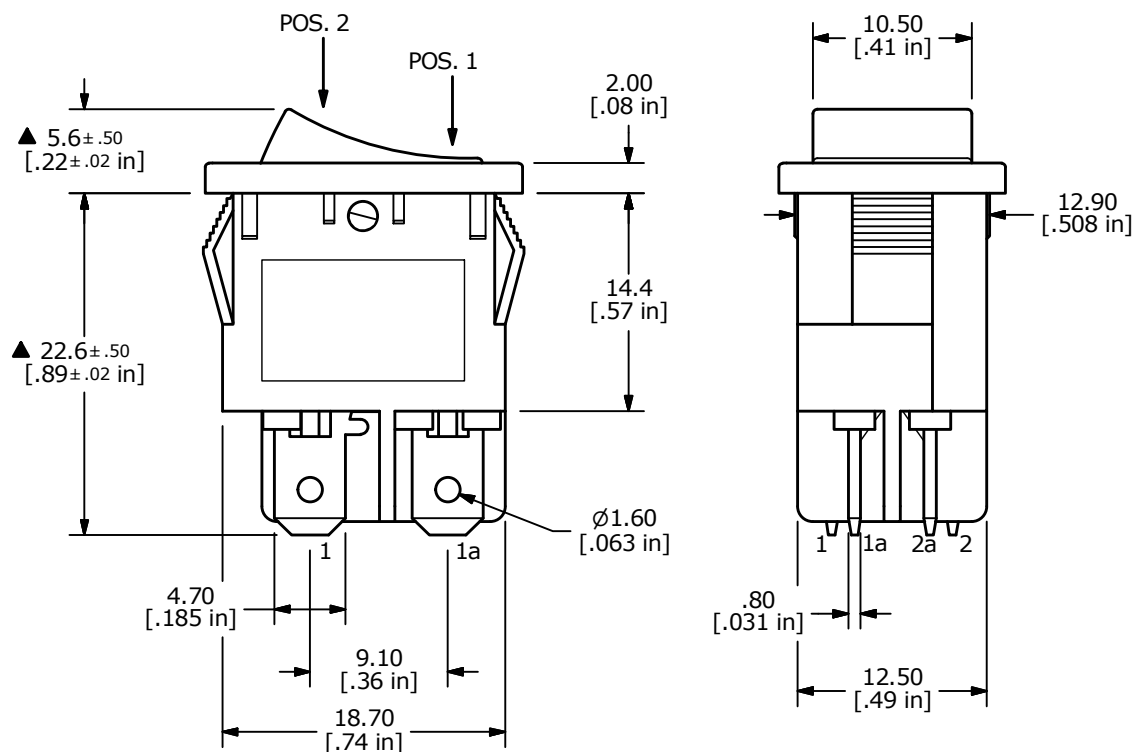
SWITCH FUNCTION	
POS. 1	POS. 2
OFF	ON
OPEN	1-1a, 2-2a



CIRCUIT: DPST
OFF - ON

NOTE:

- DIMENSIONS IN MM [INCH]
- GENERAL TOLERANCE: X.X = ± 0.4
X.XX = ± 0.25
- TERMINAL NUMBERS FOR REF ONLY
- CONTACT MATERIAL: SILVER
- CONTACT RATINGS: 16A @ 125VAC [UR, cUR]
10A @ 250VAC [UR, cUR]
1/3HP 125/250VAC [UR, cUR]
- CONTACT RESISTANCE: 35mΩ MAX. @ 50VAC
- INSULATION RESISTANCE: 100MΩ MIN. @ 500VAC
- DIELECTRIC STRENGTH: 1,500VAC FOR 1 MINUTE
- ELECTRICAL LIFE: 6,000 CYCLES [UR, cUR]
10,000 CYCLES [ENEC14, SEMKO: 10(4)a 250v~]
50,000 CYCLES [ENEC14, SEMKO: 10(2)a 250v~]
- OPERATING TEMPERATURE: -20°C to 105°C [UR, cUR]
-20°C to 125°C [ENEC14, SEMKO: 10(4)a 250v~]
-20°C to 85°C [ENEC14, SEMKO: 10(2)a 250v~]
- ▲ DENOTES CRITICAL PARAMETER



A	24132	RELEASE	12/19/19	MW
REV	PCR NO	DESCRIPTION	DATE	BY

TITLE RA812C2100				
SCALE	DATE	DR	DWG	REV
2:1	12/19/2019	MW	38-RA812C2100	A

THE INFORMATION CONTAINED IN THIS DOCUMENT IS PROPRIETARY TO E-SWITCH AND IS NOT TO BE COPIED OR TRANSFERRED